

Prüfbericht-Nr.: Test Report No.:	21256504_002	Auftrags-Nr.: Order No.:	3188400	Seite 1 von 6 Page 1 of 6	
Kunden-Referenz-Nr.: Client Reference No.:	24091645	Auftragsdatum: Order date:	2016-07-04		
Auftraggeber: Client:	FKD International B.V., Voltastraat 38, 1446 VC Purmerend, Niederlande				
Prüfgegenstand: Test item:	Verbindungselemente für Reihenbestuhlung				
Bezeichnung / Typ-Nr.: Identification / Type No.:	Stack 25x25mm, Stack 22x22 mm, Stack 20x20mm				
Auftrags-Inhalt: Order content:	mechanical test of chairlinks				
Prüfgrundlage: Test specification:	DIN EN 14703, ed. 07.2007 DIN EN 14703, Links for non-domestic seating linked together in a row - Strength requirements and test methods				
Wareneingangsdatum: Date of receipt:	2016-07-13				
Prüfmuster-Nr.: Test sample No.:	A000133484				
Prüfzeitraum: Testing period:	2016-07-14 – 2016-08-09				
Ort der Prüfung: Place of testing:	TÜV Rheinland LGA Products GmbH				
Prüflaboratorium: Testing laboratory:	Furniture testing laboratory Dresden				
Prüfergebnis*: Test result*:	Pass				
geprüft von / tested by:		kontrolliert von / reviewed by:			
2016-08-09 André Paul (SV)		2016-08-09 Andreas Möschner (SV)			
Datum Date	Name / Stellung Name / Position	Unterschrift Signature	Datum Date	Name / Stellung Name / Position	Unterschrift Signature
Sonstiges / Other: Mechanical tests of links for seating linked together in a row. The used chairs were provided by the client. Representatively the tests were carried out with the links "Stack 25x25 mm".					
Zustand des Prüfgegenstandes bei Anlieferung: Condition of the test item at delivery:			Prüfmuster vollständig und unbeschädigt Test item complete and undamaged		
* Legende: 1 = sehr gut 2 = gut 3 = befriedigend 4 = ausreichend 5 = mangelhaft P(ass) = entspricht o.g. Prüfgrundlage(n) F(ail) = entspricht nicht o.g. Prüfgrundlage(n) N/A = nicht anwendbar N/T = nicht getestet Legend: 1 = very good 2 = good 3 = satisfactory 4 = sufficient 5 = poor P(ass) = passed a.m. test specification(s) F(ail) = failed a.m. test specification(s) N/A = not applicable N/T = not tested					
Dieser Prüfbericht bezieht sich nur auf das o.g. Prüfmuster und darf ohne Genehmigung der Prüfstelle nicht auszugsweise vervielfältigt werden. Dieser Bericht berechtigt nicht zur Verwendung eines Prüfzeichens. This test report only relates to the a. m. test sample. Without permission of the test center this test report is not permitted to be duplicated in extracts. This test report does not entitle to carry any test mark.					

v04

Produktbeschreibung
Product description

Links for seating linked together in a row with square frames (20x20, 22x22, 25x25 mm) made from glass-fibre 50% reinforced polyamide with following dimensions.:

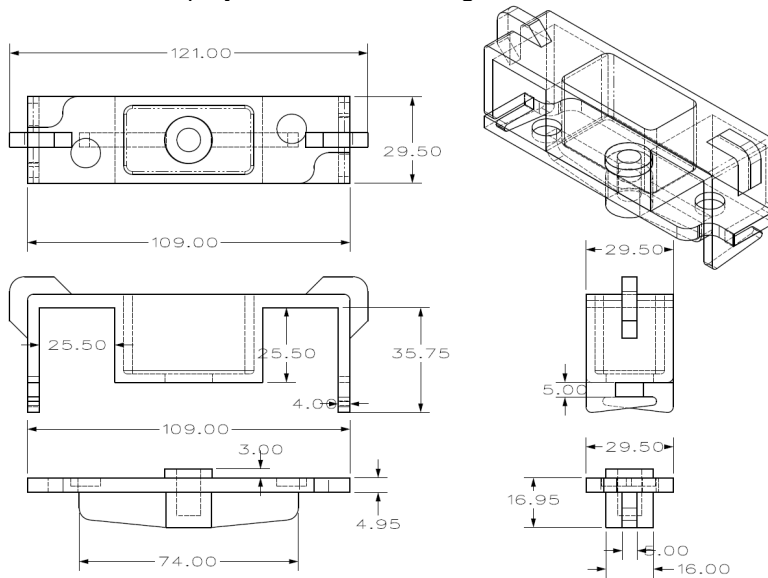


Fig. 1

Fig. 2

Fig. 3

Fig. 4

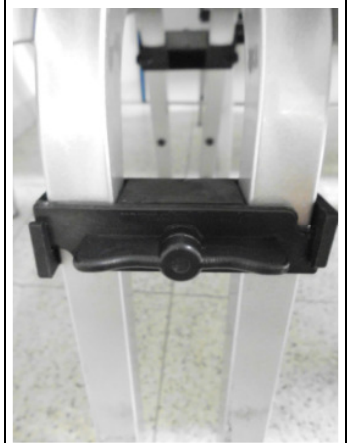
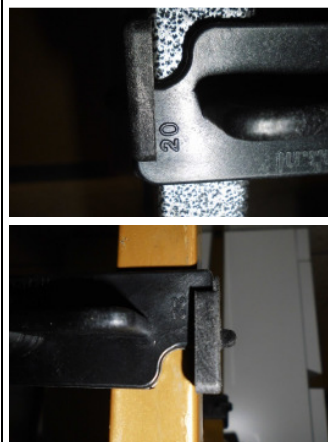


Fig. 5

Fig. 6

Fig. 7, 8

Fig. 9



Prüfbericht-Nr.: 21256504_002
Test Report No.:

Absatz Clause	DIN EN 14703, ed. 07.2007 Anforderungen - Prüfungen / Requirements - Tests	Messergebnisse - Bemerkungen Measuring results - Remarks	Bewertung Evaluation
1	General – Links for non-domestic seating The content of the standard was packed. For details, be referred to the original document. The numbering was changed.		
2	Row displacement test acc. to DIN EN 14703		
2.1	Row displacement test of 11 chairs linked together – Test acc. to DIN EN 14703, 7.2 rearward requirement: max. 200 mm	83 mm	P <input checked="" type="checkbox"/> F <input type="checkbox"/> N/A <input type="checkbox"/> N/T <input type="checkbox"/>
2.2	Row displacement test of 11 chairs linked together – Test acc. to DIN EN 14703, 7.2 forward requirement: max. 200 mm	15 mm	P <input checked="" type="checkbox"/> F <input type="checkbox"/> N/A <input type="checkbox"/> N/T <input type="checkbox"/>
3	Link strength tests acc. to : DIN EN 14703		
3.1	Requirement acc. to DIN EN 14703, 4: the links shall satisfy the same option in both tests – acc t. 7.3.2 and 7.3.3 - Option A: chairs shall stay linked, or - Option B: at least one chair shall become disengaged from another	in both tests – overturning test (cl. 3.2) and horizontal impact test (cl. 3.3) – the chairs stay linked; Option A is fulfilled in both tests	P <input checked="" type="checkbox"/> F <input type="checkbox"/> N/A <input type="checkbox"/> N/T <input type="checkbox"/>
3.2	Overturning test of 11 chairs linked together – Test acc. to DIN EN 14703, 7.3.2 forward rearward Requirement acc. to DIN EN 14703, 7.3.1: the links shall fulfil the same option in both tests - Option A: chairs shall stay linked, or - Option B: at least one chair shall become disengaged from another	in both tests of overturning the chairs stay linked; Option A is fulfilled (see Fig. 10 and 11 in annex)	

Prüfbericht-Nr.: 21256504_002
Test Report No.:

Seite 5 von 6
Page 5 of 6

Absatz Clause	DIN EN 14703, ed. 07.2007 Anforderungen - Prüfungen / Requirements - Tests	Messergebnisse - Bemerkungen Measuring results - Remarks	Bewertung Evaluation
3.3	<p>Horizontal impact test of 5 chairs linked together – Test acc. to DIN EN 14703, 7.3.3 forward rearward</p> <p>Requirement acc. to DIN EN 14703, 7.3.1: the links shall fulfil the same option in both tests</p> <ul style="list-style-type: none"> - Option A: chairs shall stay linked, or - Option B: at least one chair shall become disengaged from another 	<p>in both tests of overturning the chairs stay linked; Option A is fulfilled (see Fig. 12 and 13 in annex)</p> <p>During the forward impact test the impacted chair slid upstairs inside the link. All chairs stay linked without a damage. The impacted chair can be pressed down. The result will be assessed as stay linked row acc. to Option A.</p>	

Prüfbericht-Nr.: 21256504_002
Test Report No.:

Seite 6 von 6
Page 6 of 6

Absatz	DIN EN 14703, ed. 07.2007	Messergebnisse - Bemerkungen	Bewertung
Clause	Anforderungen - Prüfungen / Requirements - Tests	Measuring results - Remarks	Evaluation

Annex - additional figures

Fig. 10: test acc. to 7.3.2 – forward overturning



Fig. 11: test acc. to 7.3.2 – rearward overturning



Fig. 12: test acc. to 7.3.3 – forward horizontal impact



Fig. 13: test acc. to 7.3.3 – rearward horizontal impact

